

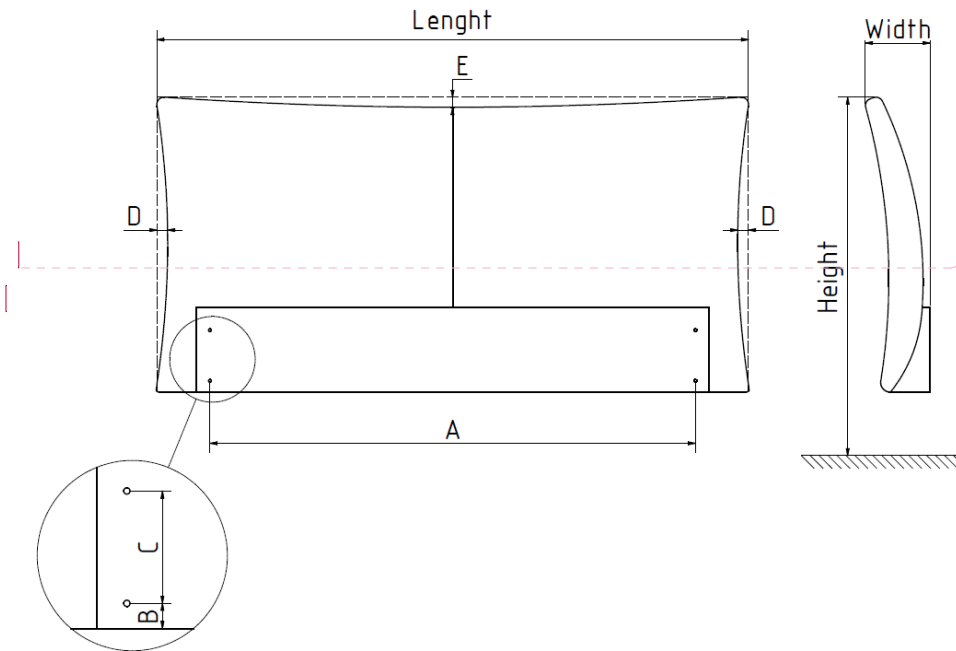
## 6. Product Measurements

### Where to measure HB Pure

measurements in **mm**:

Kommentiert [JJ8]: Correct the alphabet and descriptions

Sizes cm	A	B	C	D	E	F	G	H	I
Description				Width on HB	Length on HB	Length Leather	Height on HB	Depth of the side curves	Depth of the top curve
HB size cm				mm	mm	mm	mm	mm	mm
Tolerance mm	+/- 5	+/- 5	+/- 5	+/- 5	+/- 10	+/-10	+/- 10	+/-10	+/-10
140	1310	40	178	185	1705		1075	40	85
160	1510	40	178	185	1905		1075	40	85
180	1710	40	178	185	2105		1075	40	85
200	1910	40	178	185	2305		1075	40	85



Kommentiert [JJ9]: Support beam location?

## 7. Product Measurements

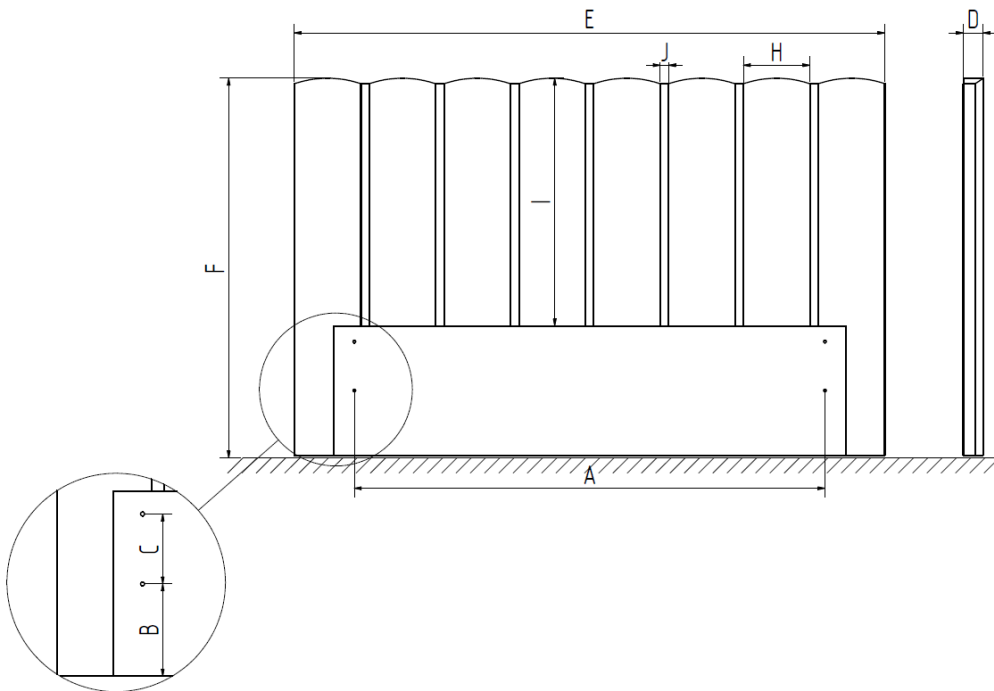
### Where to measure HB Section

measurements in **mm**:

**Kommentiert [JJ10]:** Correct the alphabet and descriptions

Sizes cm	A	B	C	D	E	F	G	H	I	J
<b>Description</b>				<b>Width on HB</b>	<b>Length on HB</b>	<b>Height on HB</b>	<b>Quantity of panels</b>	<b>Panel Width</b>	<b>Panel Height</b>	<b>wooden part</b>
<b>HB size cm</b>				<b>mm</b>	<b>mm</b>	<b>mm</b>				
<b>Tolerance mm</b>	+/- 5	+/- 5	+/- 5	+/- 10	+/- 10	+/- 10		+/-5	+/-10	+/-1
<b>140</b>	1310	235	178	85	1795	1380	6	265	890	30
<b>160</b>	1510	235	178	85	1995	1380	8	215	890	30
<b>180</b>	1710	235	178	85	2195	1380	8	240	890	30
<b>200</b>	1910	235	178	85	2395	1380	8	265	890	30

**Kommentiert [JJ11]:** Width of the panels and middle parts  
Location of the support beam  
Add patterns to other widths



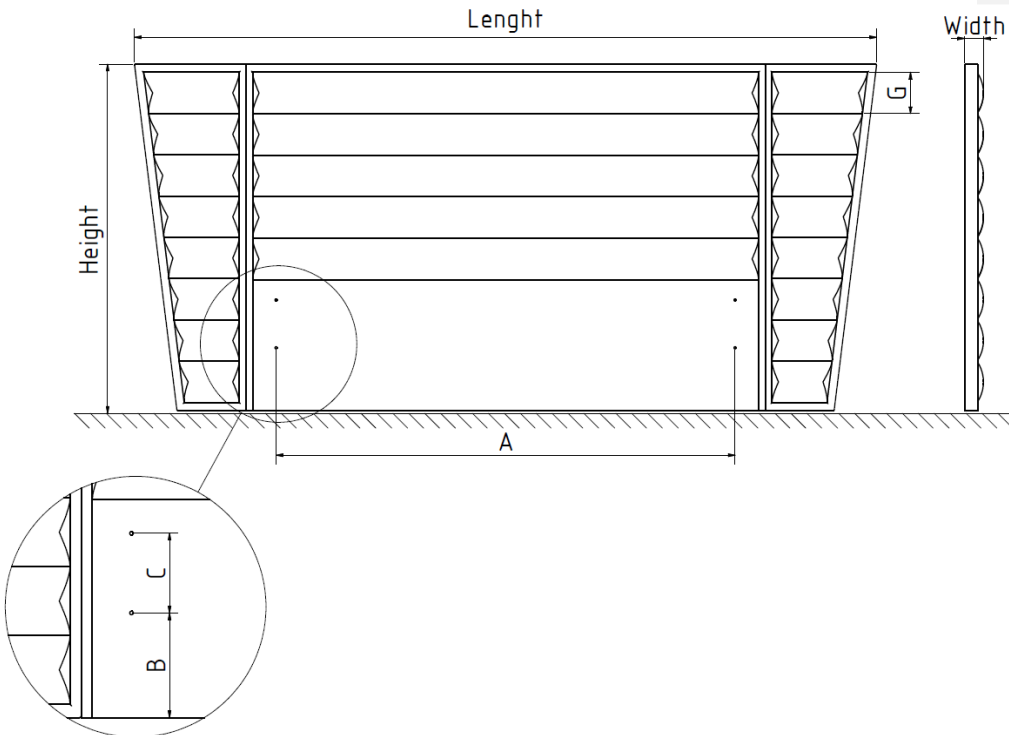
## 8. Product Measurements

### Where to measure HB Chapter

measurements in **mm**:

Kommentiert [JJ12]: Correct the alphabet and descriptions

Sizes cm	A	B	C	D	E	F	G
Description				Width on HB	Length on HB	Height on HB	Panel Height
HB size cm				mm	mm	mm	mm
Tolerance mm	+/- 5	+/- 5	+/- 5	+/- 10	+/- 10	+/- 10	+/-10
140	1310	235	178	90	2375	1305	155
160	1510	235	178	90	2575	1305	155
180	1710	235	178	90	2775	1305	155
200	1910	235	178	90	2975	1305	155



# TEMPUR+SEALY

xxxxxxx Product Specification – TP PB Design Bed

## 9. Product Measurements

### Where to measure HB Lines

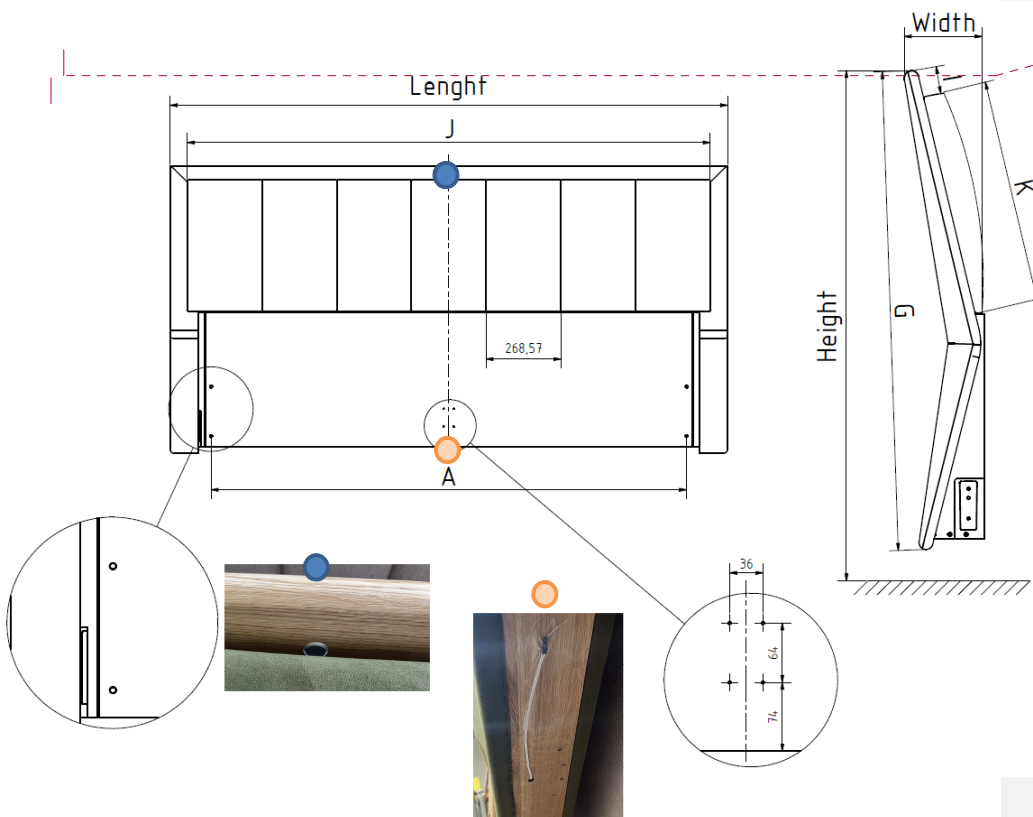
measurements in mm:

**Kommentiert [JJ14]:** Correct the alphabet and descriptions

Sizes cm	A	B	C	D	E	F	G	H	I	J	K	L
Description				Width on HB	Length on HB	Height on HB	Height	Quantity panels	Panel Edge	Panel Width	Panel Height	Panel Width
HB size cm				mm	mm	mm	mm		mm	mm	mm	mm
Tolerance mm	+/- 5	+/- 5	+/- 10	+/- 10	+/- 5	+/- 5	+/- 5		+/- 10	+/- 10	+/- 10	+/- 10
140	1310	62	178	190	1605	1115	1040	5	35	1520	510	300
160	1510	62	178	190	1805	1115	1040	7	35	1720	510	240
180	1710	62	178	190	2005	1115	1040	7	35	1920	510	270
200	1910	62	178	190	2205	1115	1040	7	35	2120	510	300

**Kommentiert [JJ15]:** Width of the panels  
Add patterns to other widths  
Measures of the support beam connector

**Kommentiert [JJ16]:** Electrical component compliance



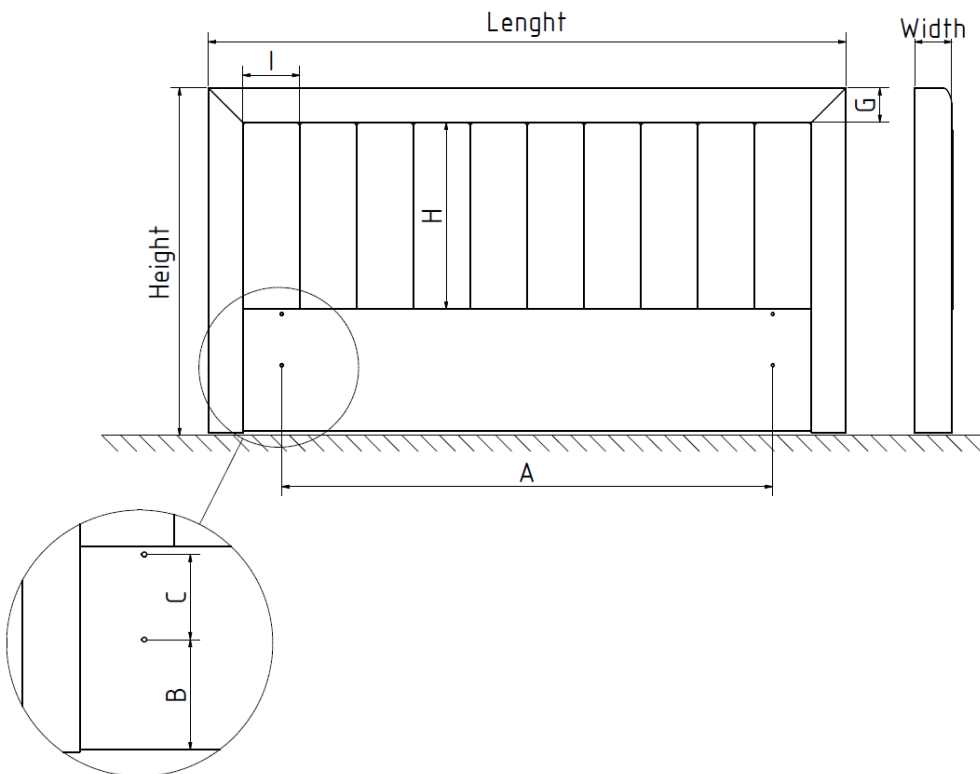
## 10. Product Measurements

### Where to measure HB Vintage

measurements in **mm**:

Kommentiert [JJ17]: Correct the alphabet and descriptions

Sizes cm	A	B	C	D	E	F	G	H	I	J
Description				Width on HB	Length on HB	Height on HB	Panel Edge	Panel Height	Panel Length	Quantity of panels
HB size cm				mm	mm	mm	mm	mm	mm	
Tolerance mm	+/- 5	+/- 5	+/- 10	+/- 10	+/- 10	+/- 10	+/-10	+/-10	+/-10	
140	1310	235	178	130	1820	1300	150	650	245	6
160	1510	235	178	130	2020	1300	150	650	165	10
180	1710	235	178	130	2220	1300	150	650	185	10
200	1910	235	178	130	2420	1300	150	650	205	10



# TEMPUR+SEALY

xxxxxxx Product Specification – TP PB Design Bed

## 11. Product Measurements

### Where to measure HB Cushion

measurements in mm:

**Kommentiert [JJ18]:** Correct the alphabet and descriptions

**Kommentiert [JJ19]:** Location of the support beam  
Patterns to other widths

Sizes cm	A	B	C	D	E	F	G
Description				Width on HB	Length on HB	Height on HB	Quantity of buttons
HB size cm				mm	mm	mm	
Tolerance mm	+/- 5	+/- 5	+/- 5	+/- 10	+/- 10	+/- 10	
140	1310	235	178	85	1845	1380	30
160	1510	235	178	85	2045	1380	34
180	1710	235	178	85	2245	1380	38
200	1910	235	178	85	2445	1380	42

